

# ALU SGN LED



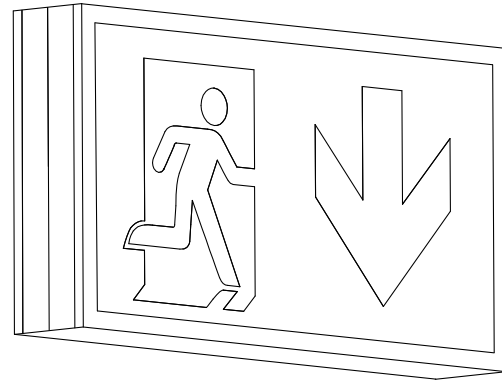
## INSTALLATION AND MAINTENANCE MANUAL

### MOUNTING TYPES

- C2** - directly to the ceiling (for suspended mounting - separate accessory C202)
- W1** - back to the wall
- W2** - side to the wall (semaphore)

### SYSTEM VARIANT

- CB** - luminaire supplied from HVCBS (230V AC / 108V DC / 216V DC), without address module
- CBAM** - luminaire supplied from the HVCBS (230V AC / 216V DC), with built-in address module and operating mode selection
- LVAM** - luminaire supplied with 24V DC from the LVDBS system, with built-in address module and operating mode selection



### LIGHTING TYPE

- NM** - NON-MAINTAINED - luminaire operates in emergency mode after power supply failure
- M** - MAINTAINED - lighting provided all the time, in case of power supply failure switches automatically into emergency mode

### SIZE OF EXIT SIGN

- 30x15** - ISO 7010 compliant exit sign with the dimensions of 30x15 cm and a viewing distance of 30 meters
- 40x20** - ISO 7010 compliant exit sign with the dimensions of 40x20 cm and a viewing distance of 40 meters
- 60x30** - ISO 7010 compliant exit sign with the dimensions of 60x30 cm and a viewing distance of 60 meters

### TECHNICAL DATA

			Supply voltage	
			CB	CBAM
			230V AC 50/60Hz / 80 - 275V DC	230V AC 50/60Hz / 170 - 275V DC
			15 - 32V DC	
			30x15, 40x20	60x30
Current consumption [mA]	@216V DC	CB	24	26
		CBAM	28	30
		LVAM	115	160
		@24V DC		
Power factor			0.4	
Protection class		CB/CBAM	I	
		LVAM	III	
Ingress protection			IP40	

Light source type	LED strips <sup>1)</sup>	
Light source temperature	5000K	
Colour rendering index	70	
Light source supply power	<b>30x15</b> <sup>2)</sup>	2W
	<b>40x20</b>	3W
	<b>60x30</b>	
Light source lifespan	> 50 000h	
Supply cable cross-section area	0.5 - 2.5mm <sup>2</sup>	
Ambient temperature	<b>CB/CBAM</b>	-10 - +55°C
	<b>LVAM</b>	-25 - +60°C
Suitable for through wiring	YES	

<sup>1)</sup> Non-exchangeable but serviceable light source; <sup>2)</sup> Sign dimensions

## SAFETY

- During the installation and usage of emergency luminaires, follow the national safety rules as well as generally accepted technical rules.
- During usage of emergency luminaires keep a register of inspection reports.
- Luminaire installation or maintenance has to be preceded by turning off the power supply.
- Ensure that all foreign bodies are removed before the luminaire power is switched on.
- The luminaire is to be used undamaged and in accordance with specifications.
- The luminaire designed for use inside the building.

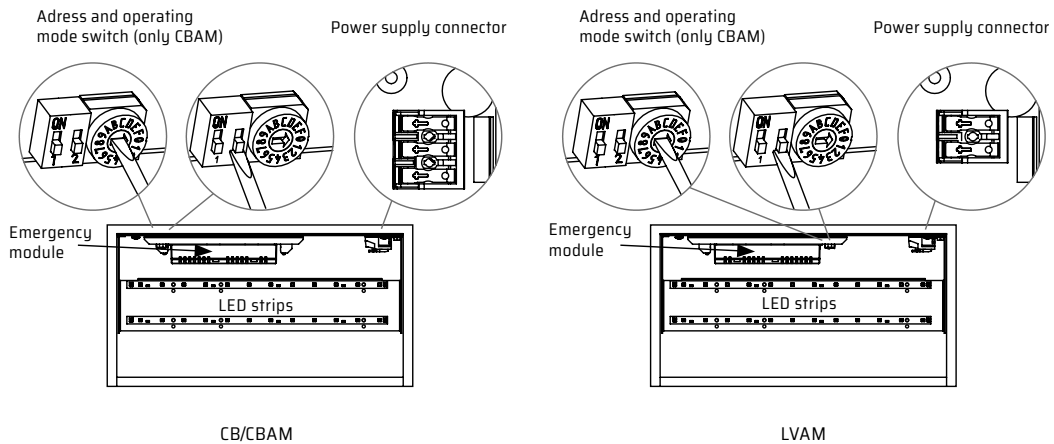
The above-mentioned luminaire is a fire protection equipment and therefore falls within relevant standards and regulations.



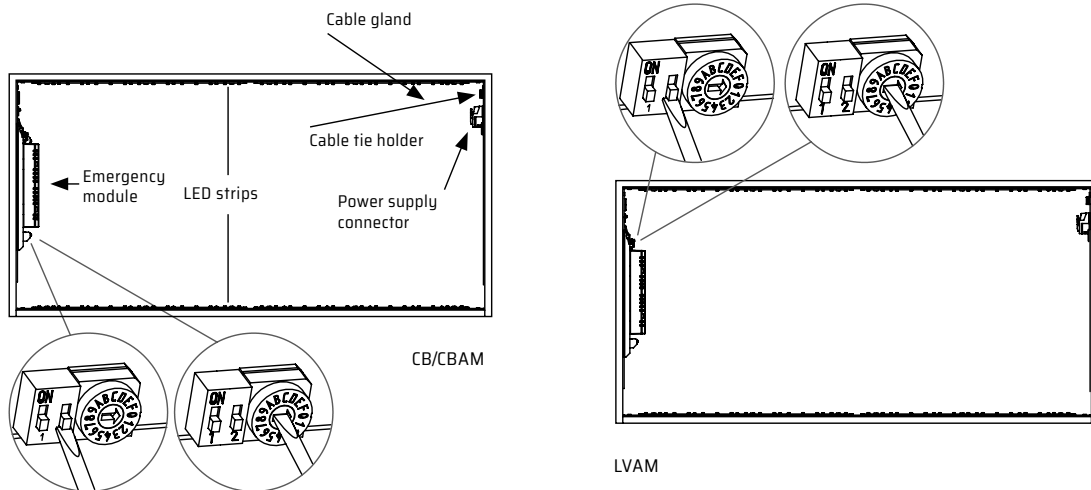
**NOT OBEYING THE SAFETY INSTRUCTIONS AND RECOMMENDATIONS CAN CAUSE LIFE THREAT OR EVEN DEATH**  
NOT OBEYING THIS INSTRUCTION MANUAL CAN RESULT IN LUMINAIRE DAMAGE AND LOSS OF WARRANTY

## LUMINAIRE CONSTRUCTION

### 30x15 / 40x20

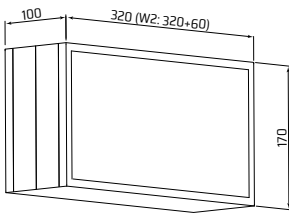


### 60x30

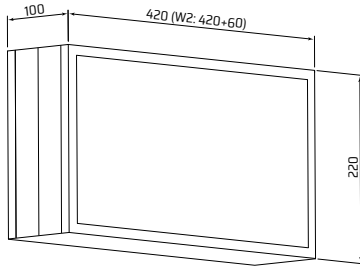


# LUMINAIRE AND SIGN DIMENSIONS (in mm)

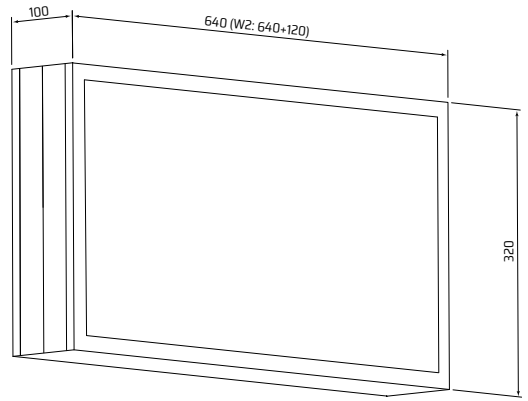
**30x15**



**40x20**

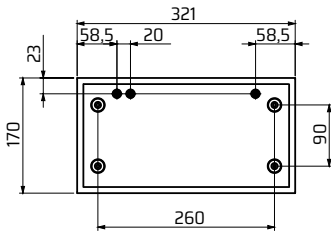


**60x30**

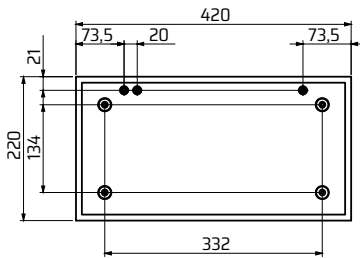


# MOUNTING DIMENSIONS (in mm)

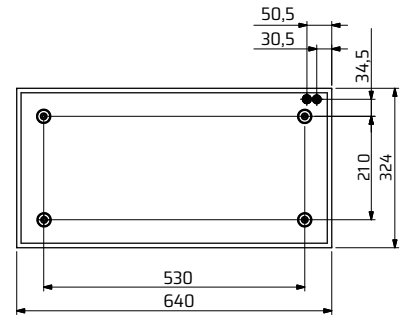
**30x15**



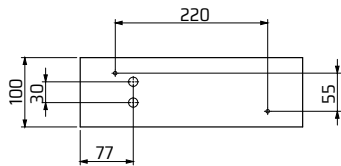
**40x20**



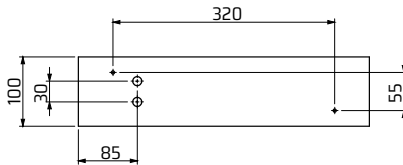
**60x30**



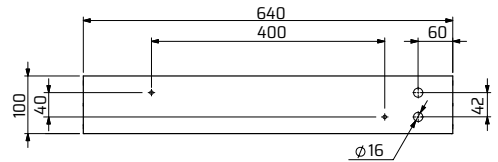
**C2 - 30x15**



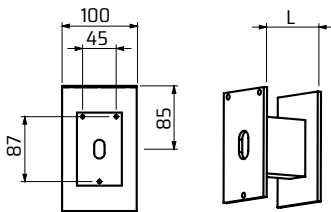
**C2 - 40x20**



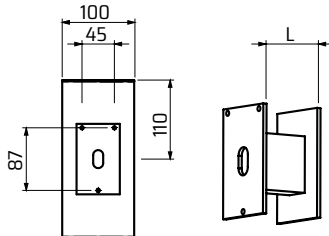
**C2 - 60x30**



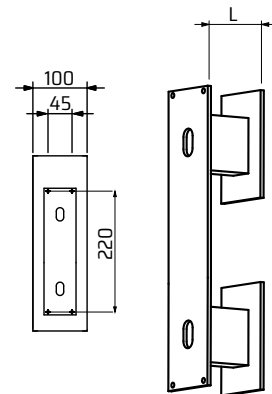
**W2 - 30x15**



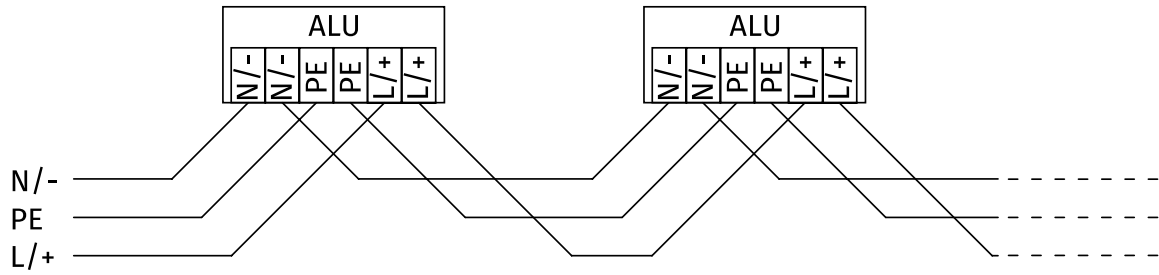
**W2 - 40x20**



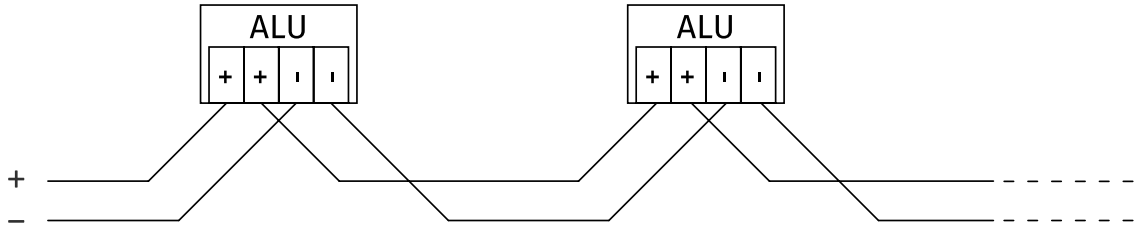
**W2 - 60x30**



CB / CBAM



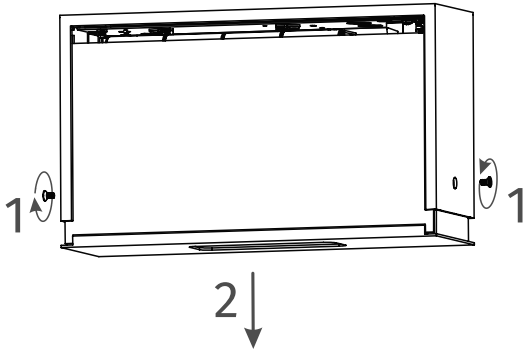
LVAM



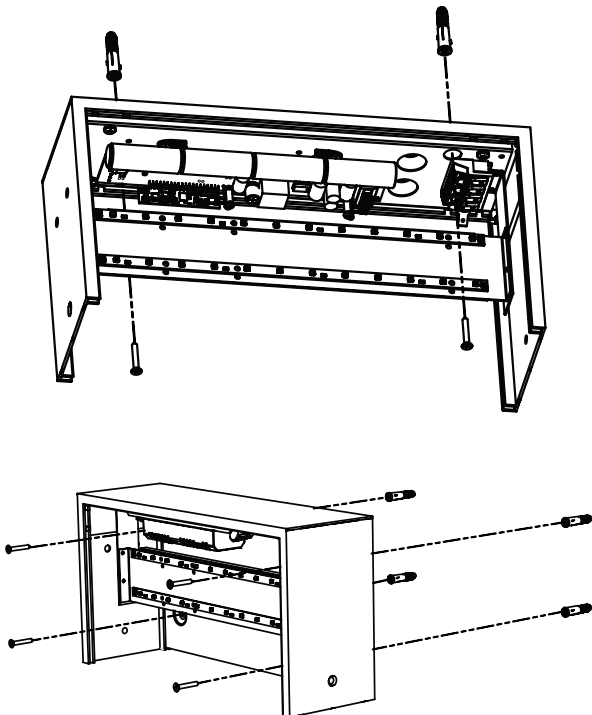
**BEFORE ANY INSTALLATION OR MAINTENANCE OPERATION IS PERFORMED ON THE LUMINAIRE THE POWER SUPPLY SHOULD BE DISCONNECTED**  
All installation and maintenance procedures can be performed only by qualified, properly trained and if appropriate, certified staff

## INSTALLATION

1. Unpack the luminaire after transport and verify its condition.
2. Drill holes in ceiling or wall according to luminaire mounting hole spacing, so that power cables can be pushed freely into the luminaire through the cable glands. Use dowels or screws, appropriate for the material luminaire is being mounted to.
3. Unscrew the two M4 screws fixing the bottom part of luminaire and remove it, at the same time, remove the plates with safety sign. Attention! The plates can be supplied separately.

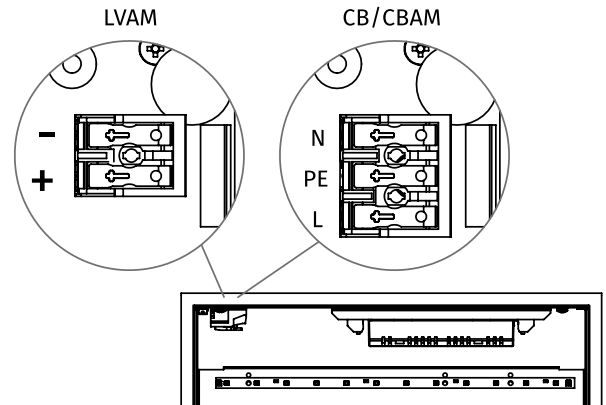


4. Push the power supply cable through the cable gland in luminaire. Screw the luminaire to the wall or ceiling using previously drilled mounting holes. For W2 mounting type route the communication and power cables through the hole in the W2 and screw it to the wall. Then screw the housing body and the W2.



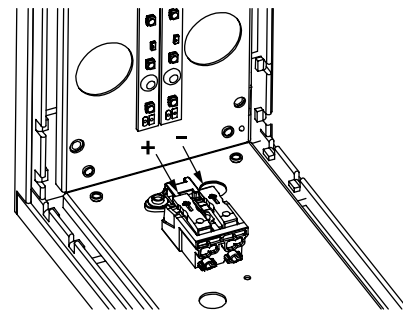
5. Connect the power supply cables from the HVCBS/LVDBS system according to the appropriate wiring diagrams, strip 7 - 8mm of wire copper insulation. Pay special attention to the luminaire supply voltage!

**30x15 / 40x20**

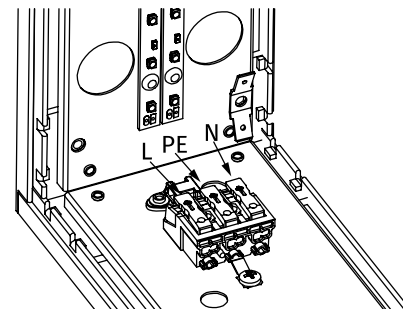


**60x30**

**LVAM**



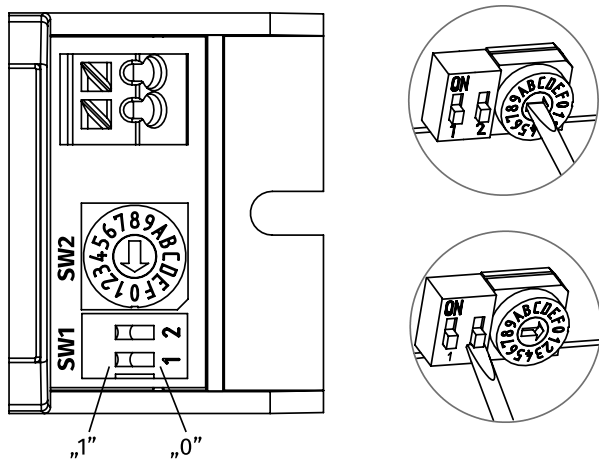
**CB/CBAM**



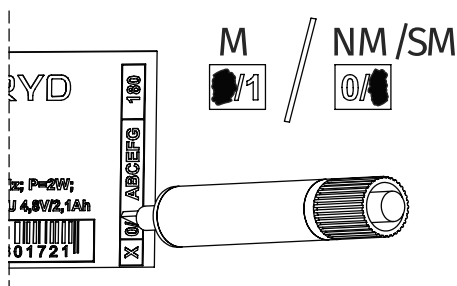
6. In case of luminaires with built-in address module (CBAM/LVAM) set luminaire address using the rotary switch SW2 and second slider of SW1 switch.

SW1-2	SW2	Address	SW1-2	SW2	Address
0	1	1	1	1	11
0	2	2	1	2	12
0	3	3	1	3	13
0	4	4	1	4	14
0	5	5	1	5	15
0	6	6	1	6	16
0	7	7	1	7	17
0	8	8	1	8	18
0	9	9	1	9	19
0	A	10	1	A	20

7. Using the first slider of SW1 switch select the operating mode. Switch position 0 - non-maintained operating mode (NM), switch position 1 - maintained operating mode (M).



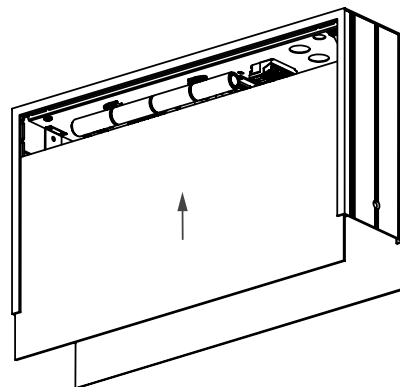
8. Mark the operating mode on the luminaire label. Mark 0 for maintained mode and 1 for non-maintained mode.



9. Depending on mounting:

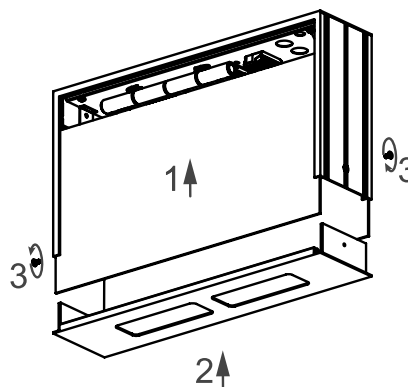
- for W1/W2 insert the plate with safety sign,
- for doublesided C2 insert the plates with safety sign,
- for single sided C2 insert the front plate with safety sign and light blocking back plate.

Check for exit sign direction during plate installation.

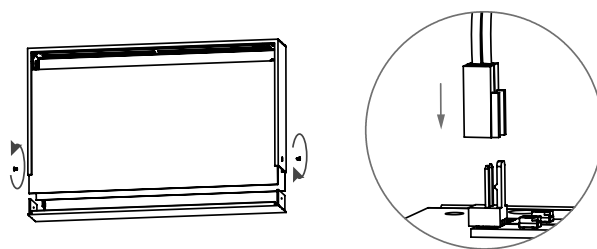


10. Put the bottom part of luminaire and using two M4 screws screw the two luminaire parts together. For the 60x30 luminaire version, before mounting the bottom part, connect the LED strip power cable plug to the LED socket on the bottom part.

**30x15 / 40x20**



**60x30**



## MAINTENANCE

Luminaire should be cleaned with a damp cloth according to building maintenance plan.

Do not use abrasive cleaners, solvents, substances and cleaning agents containing alcohol to clean the lampshade.

The light source used in this luminaire may only be replaced by the manufacturer, his service agent or a similar qualified person.

## STORAGE

The luminaire should be stored no longer than 12 months from the date of purchase, in a dry place with an ambient temperature range of -10 - + 30°C.

## COMMISSIONING

After all installation procedures are finished, luminaire operation needs to be verified. Follow the instructions below:

1. Switch the luminaire power supply on the HVCBS (CB, CBAM) or LVDBS (LVAM) system.
2. For luminaires without built-in address module:
  - a. Leave luminaire operating and verify light source operation - should be operating,
  - b. Turn off luminaire power supply.
3. For luminaires with built-in address module:
  - a. Configure the HVCBS/LVDBS system,
  - b. Run the functional test on HVCBS/LVDBS system,
  - c. Verify luminaire operation. The light source should operate properly,
  - d. Verify if the HVCBS/LVDBS system reports proper luminaire operation.

## WARRANTY

Warranty is valid and enforceable only when manufacturer's recommendations are preserved, and the installation and usage are proper. Warranty is granted for a period of 12 months from the date of sale, unless the luminaire has been sold under different contract conditions. The warranty is excluded in case of misuse, unsuitable use, wrong connection or mechanical defects of the luminaire caused by the client.